

## TECHNICAL DATA/SPECIFICATIONS

MODEL: SRE-2000 Electra Ride Elite

RATED LOAD: 400 LBS, ONE PASSENGER

POWER SOURCE: 24 VOLT DC COMPRISED OF (2) 7 AMP/HR  
12 VOLT SEALED BATTERIES.

110 VOLT AC 1.5 AMP, 24 VOLT DC 3 AMP  
CONTINUOUS MONITORING CHARGER.

DRIVE: 24 VOLT DC MOTOR, 2 POLE RATED 1.02 HP  
NO LOAD SPEED OF 3800 RPM.

20:1 RIGHT ANGLE SELF LOCKING WORM DRIVE  
GEAR BOX WITH 4:1 INTERMEDIATE REDUCTION  
USING DUAL 3 V WIDE BELTS.

FINAL DRIVE: RACK & PINION - INTEGRATED 8dp GEAR RACK  
ON RAIL WITH A SPUR GEAR ON THE GEARBOX  
OUTPUT SHAFT.

BRAKING: DYNAMIC MOTOR BRAKING THROUGH THE MOTOR  
CONTROLLER AND SELF LOCKING WORM GEAR.

CONTROLS: CONTINUOUS PRESSURE ROCKER SWITCH LOCATED  
ON ARMREST AND WALL MOUNTED CALL/SEND  
CONTROLS LOCATED AT BOTH TOP & BOTTOM  
LANDINGS.

ANGLES: 23 TO 45 DEGREES (Specials up to 50 Degrees)

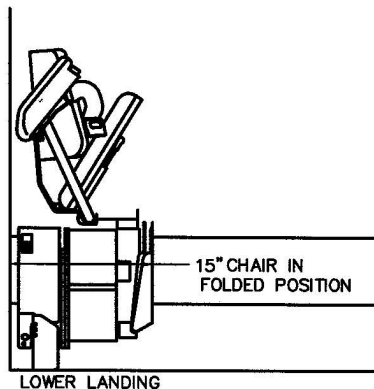
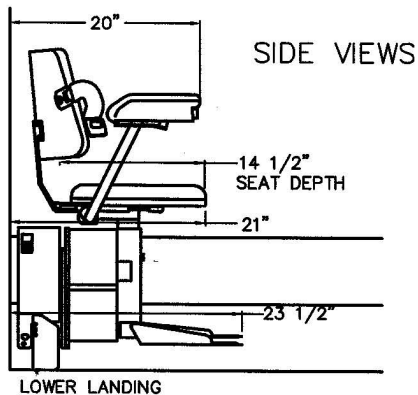
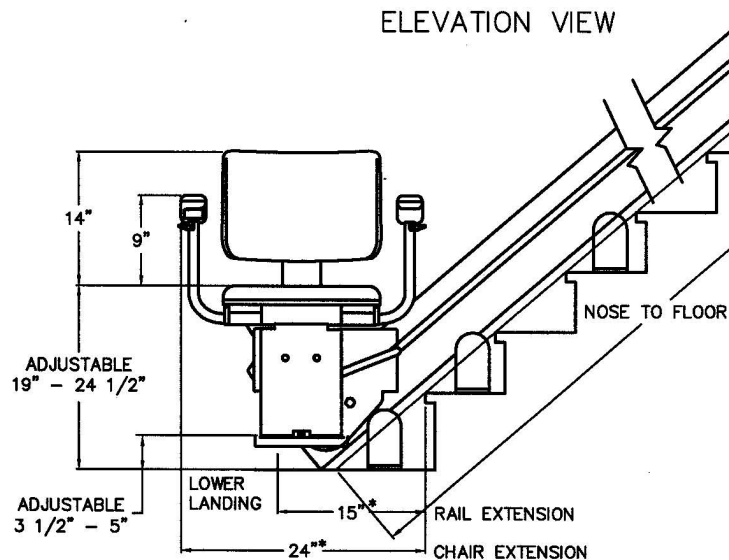
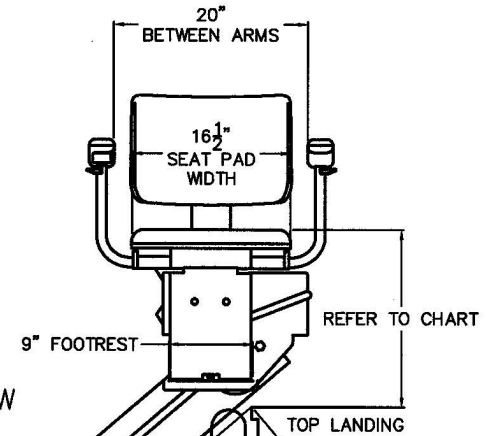
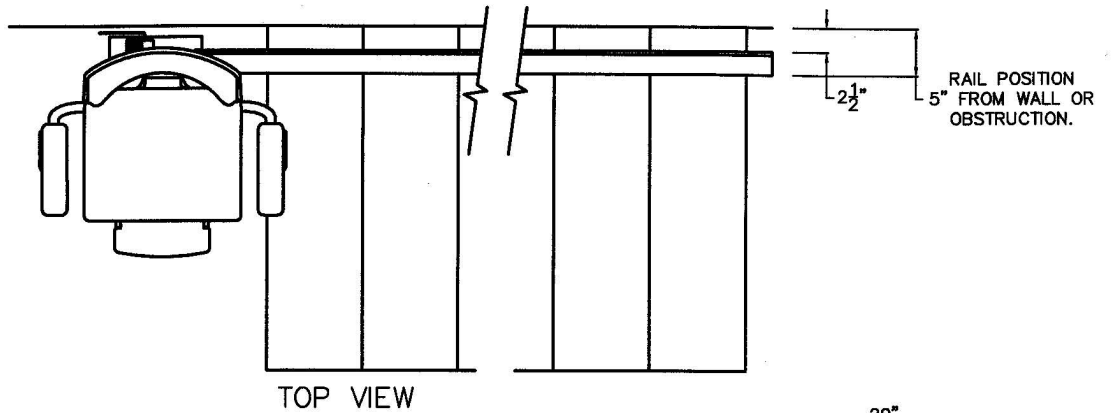
SPEED: 32 FEET PER MINUTE UNLOADED  
25 FEET PER MINUTE WITH RATED LOAD  
(SPEED SETTINGS ARE ADJUSTABLE)

FINAL LIMIT SWITCH STANDARD

OPTIONS:

— COMMERCIAL PACKAGE

— INCLUDES OVERSPEED SAFETY BRAKE, KEYED CALL/SEND  
CONTROLS, & KEYED CONTROLS ON CHAIR



\* LOWER LANDING EXTENSION DIMENSIONS ARE  
BASED ON 40 DEGREE RAIL SLOPE AND 8" 1ST  
RISER HEIGHT, DIMENSIONS WILL VARY BASED ON  
SLOPE AND RISER HEIGHT.



1780 Executive Drive  
P.O. Box 84  
Oconomowoc, WI 53066  
Tel 800-882-8183  
Fax 262-953-5501  
<http://www.bruno.com/>

rev: 03/26/2004 ISO 404.85