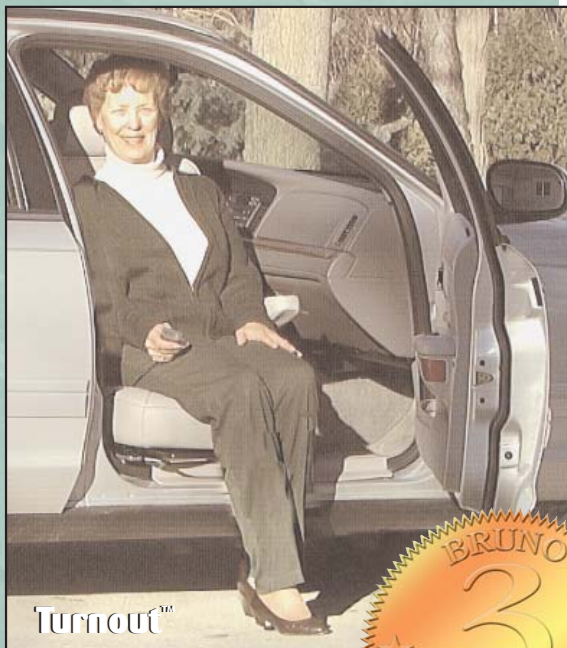


BRUNO

Turning Automotive Seating™

TAS™



**A Revolutionary Automotive
Mobility Solution.**

 **BRUNO**®
INDEPENDENT LIVING AIDS

TURNY™ V (HD)

A BRUNO TAS™ PRODUCT

is ideal if you have difficulty entering and exiting today's minivans, full-size pickup trucks, full-size SUVs and full-size vans.

TURNY V (HD) Replaces existing seat base with a manual, swivel, power out & down base.

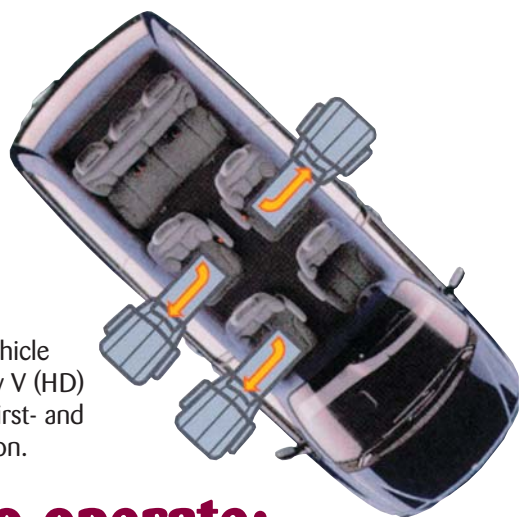
TURNY V (HD) Allows for an even-height transfer from a mobility device or can be lowered to a desired height.

TURNY V (HD) Saves space. In some cases, utilizes the vehicle's original seat.

TURNY V (HD) A safe alternative to transporting someone in a wheelchair while in the vehicle.

TURNY V (HD) Easily removed to restore the vehicle to its original condition, without compromising the resale value.

TURNY V (HD) Installs in many new and older model vehicles. (See your Bruno dealer for details.)



Depending on the vehicle application, the Turny V (HD) is available for both first- and second-row installation.

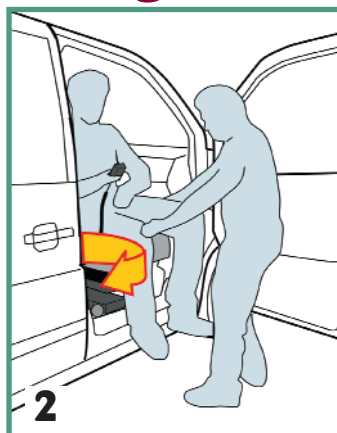


**Simple to operate;
makes it easier to get in and out of your vehicle.**



1

Release the swivel seat latch by pulling up on the handle.



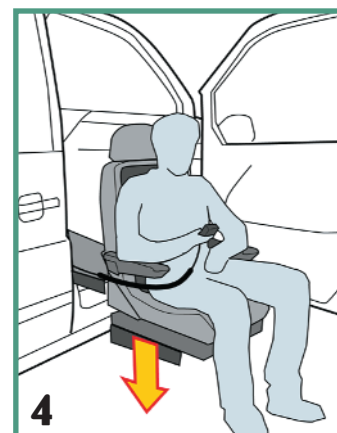
2

Turn the seat out until it locks; then begin lowering the seat with the hand control.



3

Turny first glides the seat out of the vehicle. . .



4

...and then lowers the seat to the desired level.

The Latest Bruno TAS Product...

TURNY™ Orbit

Powered all the way

TURNY ORBIT With just the touch of a button, the convenient, fully-powered seat rotates and moves – outside and down – to the most comfortable position for stepping in/out of the vehicle or transferring at the desired height.

TURNY ORBIT Provides safe, easy access to the first- and second-row passenger seating.

TURNY ORBIT NEW, 'gentle-touch', hand-held control operation automatically turns the Turny Orbit Seat from any position.



Industry First!



ONLY the Turny Orbit offers a minivan, driver-side solution. Combined with a Bruno Scooter Lift II Model VSL-900 Vehicle Lift, this mobility solution gives you total independence without any structural modifications.

This package is only available for the 2004/2005 Toyota Sienna minivan. Shown with required LP Seat and slider package.

Features include:

Turny V (HD) Turny Orbit

	Turny V (HD)	Turny Orbit
Power rotate, power in/out & power up/down function.	Manual rotate	✓
New, ergonomic, hand-held control with 'gentle-touch depression'.		✓
Durable 330 lb./150 kg. user weight capacity.	✓	✓
Custom, base-plate assemblies for over 100 applications.	✓	✓
Safety: "obstruction-sensing" operation.	✓	✓
Programmable controller sets vertical travel to desired height.	✓	✓
Turny models which accommodate 12"-16" of vertical travel.	✓	✓
Safety: Emergency backup system in case vehicle battery fails.	✓	✓
Easily installs in 2-3 hours in most applications.	✓	✓
Pow'rPac Compatible.	✓	✓
Exo-Frame Compatible.	✓	✓
Easily removable, restoring the vehicle back to original condition.	✓	✓
Bruno limited, three-year warranty.	✓	✓

TURNY™ with CARONY™

A BRUNO TAS™ PRODUCT

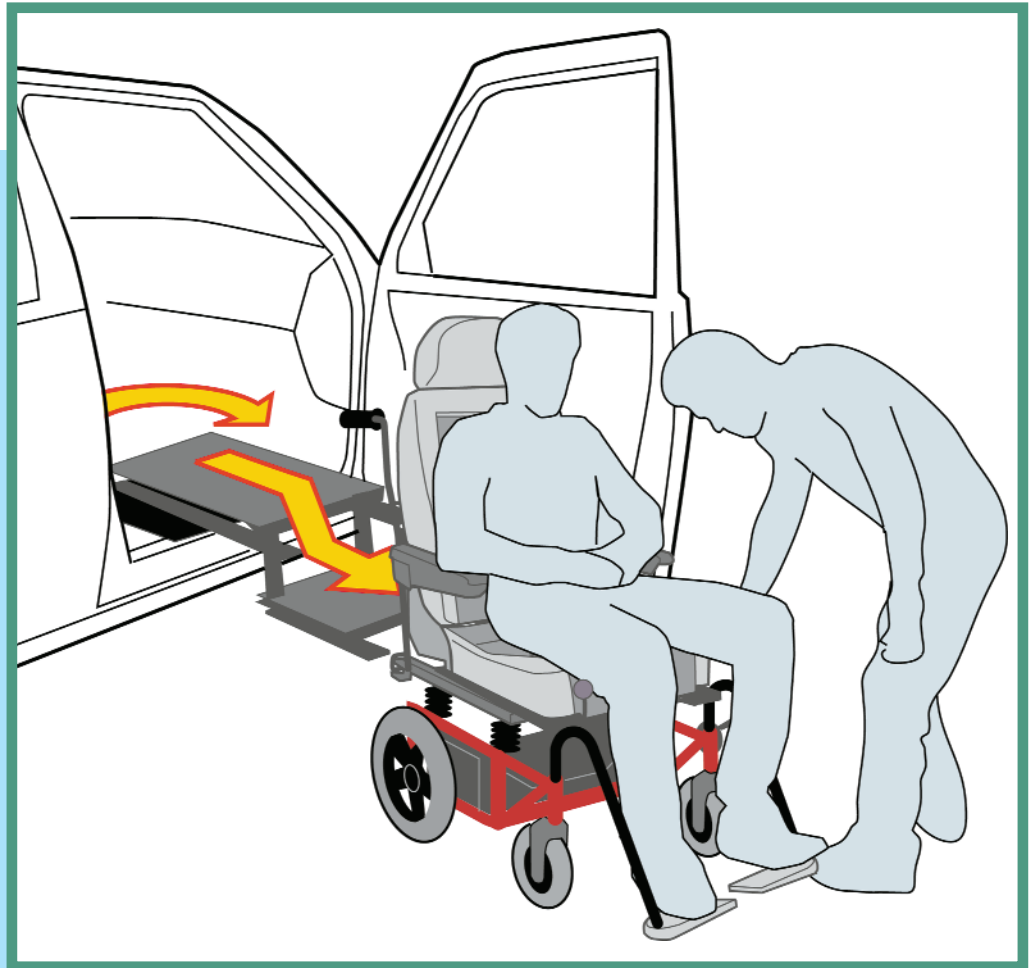
Entire package can be installed in minivans, sport utility vehicles (SUVs), full-size pickup trucks and full-size vans.

Easy Installation: the Turny component can be installed quickly, with no structural modification to the vehicle.

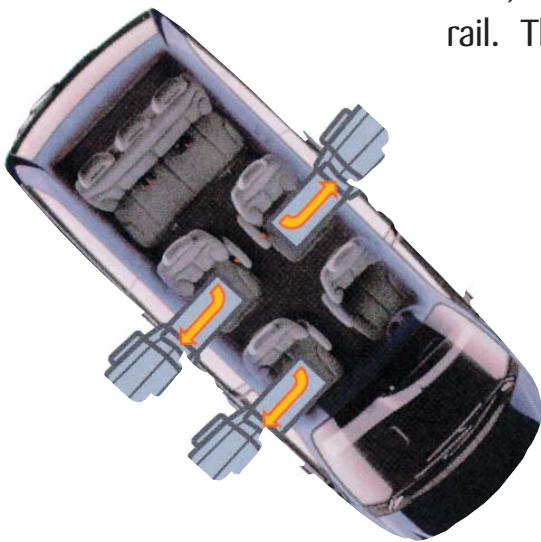
Easy removal to restore the vehicle to its original condition, without compromising resale value.

Application for a wide range of disabilities.

Tested and certified to meet or exceed all applicable FMVSS requirements in a vehicle.



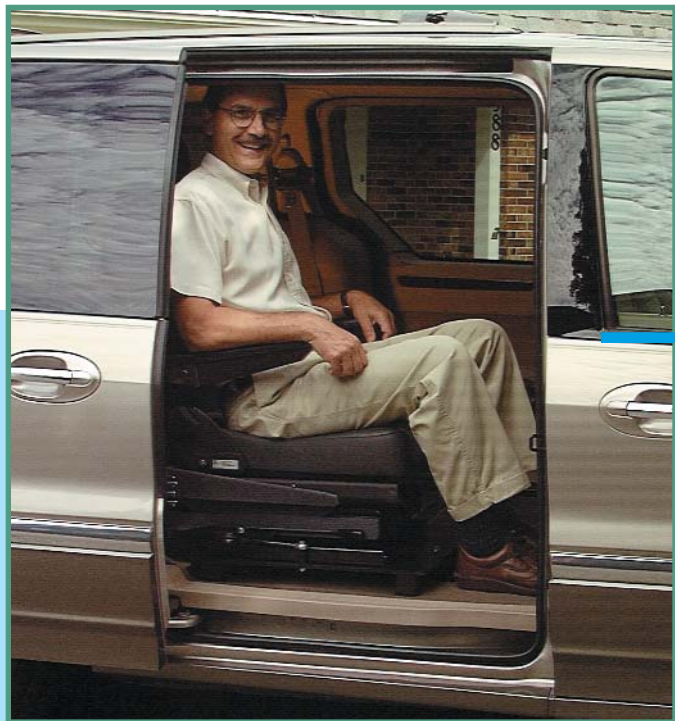
NO LIFTING! The attendant slides the individual, in the Bruno seat, from the vehicle and onto the transport wheelchair along a rail. The attendant can now easily push the user.



Depending on the application, the Turny with Carony is available for both front-row passenger and mid-row installation. (Front-passenger application is limited.)

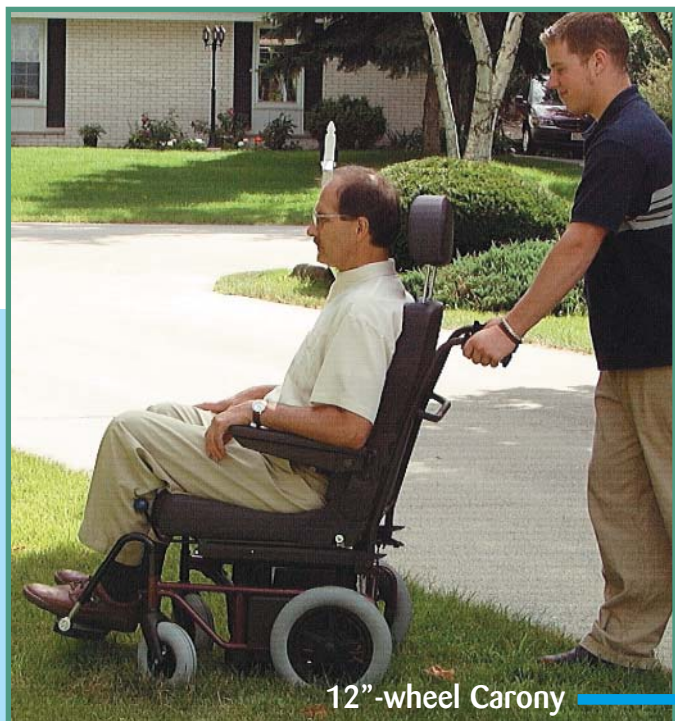


A tremendous benefit awaits you with the **Bruno Turny™ with Carony™**, a low-cost transportation solution.



The Bruno Turny™ with Carony™ ideal for persons up to approximately 6'-4" in height. The middle position allows for sufficient knee clearance during swivel.

Entire transfer completed in minutes!



12"-wheel Carony

The 12"-wheel Carony is easy to push and maneuver with its ergonomically-designed handle. If the user wants to self-propel their Carony™, our new 24"-wheel model is an ideal choice.



24"-wheel Carony

TURNOUT™

A BRUNO TAS™ PRODUCT

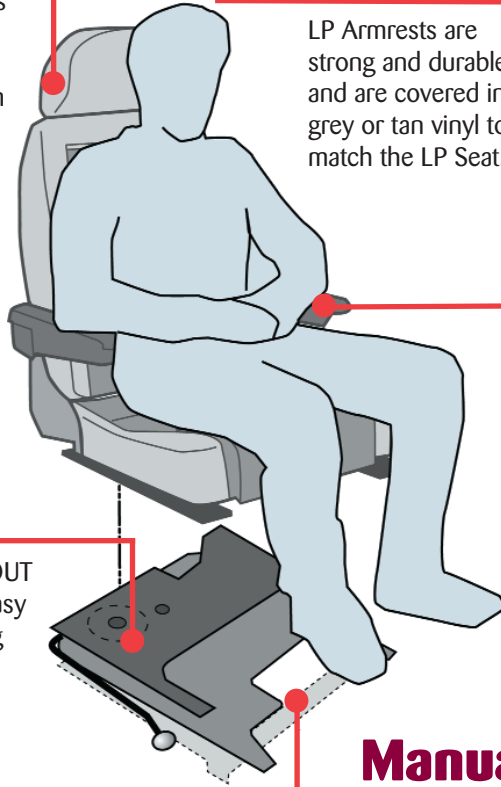
The swivel base for everyone who has difficulty getting in and out of a car.

SEATING

The Bruno LP Series Seat provides lumbar support, as well as lateral support, in both the seat cushion and backrest.

ARMRESTS OPTIONAL

LP Armrests are strong and durable and are covered in grey or tan vinyl to match the LP Seat.



SWIVEL BASE

The Manual TURNOUT is engineered for easy installation and long term reliability.

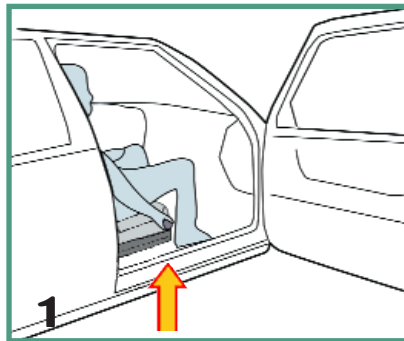
BASE PLATE ASSEMBLY

The TURNOUT is installed on a custom base plate assembly that is vehicle specific.

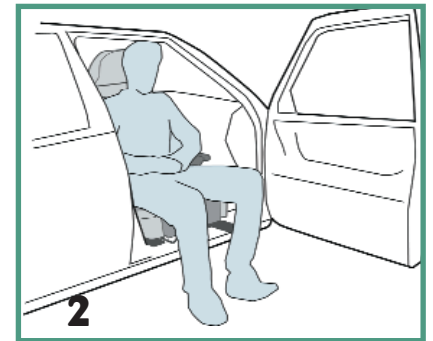


Power Turnout LP Package shown in Ford Crown Victoria, with optional leather covers, to match interior theme.

Manual Turnout operation:

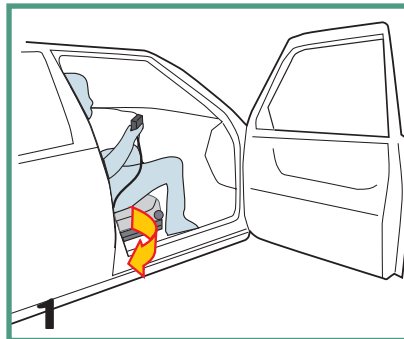


Lift lever to release the latch on the swivel base...

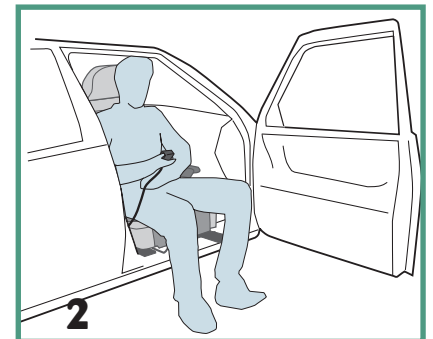


...rotate the seat fully out to the outboard position.

Power Turnout operation:



Press the **OUT** button on the hand-held pendant...



...the seat automatically turns out to the desired position.



Manual Turnout LP Package shown in Ford Crown Victoria with optional leather covers to match interior theme.

TURNOUT™ with CARONY™

A BRUNO TAS™ PRODUCT

The transport wheelchair that increases your freedom!

Comfortable transportation without lifting! Simple to maneuver, push and load.



1 The Carony is easy to push and maneuver, especially in small areas.



2 The Carony Seat transfers easily from the base to the Turnout. Start by rotating the Turnout.



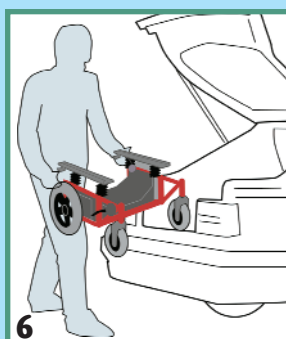
3 Remove the push handle and footrest and connect the seat to the Turnout. **LOCK THE BRAKE.**



4 Release a latch on the seat and push the seat into the car. Disconnect the wheelchair base from the Turnout.



5 Rotate the seat into position; be sure that the seat locks and fasten the seat belt. The transfer is now complete.



6 Store the transport wheelchair base in the trunk and make sure it is secure.

HEADREST

Comfortable and removable.

SEATING

The Bruno SM Seat provides lumbar support as well as lateral support in both the seat cushion and backrest. The seat and back cushion inserts are removable for cleaning.

FOOTRESTS

Adjustable, removable and swing-away.

ARMRESTS

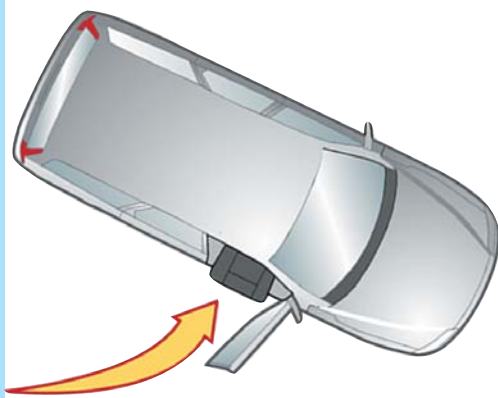
Adjustable angle and height with strong durable construction.

ADJUSTABLE HEIGHT FRAME

Crank handle allows adjustment over a range of 4.5" (115mm) to adapt to the vehicle, ground condition and user weight.

AMPLE FOOT CLEARANCE

The U-shaped frame provides ample foot clearance during the transfer.



TAS Options . . .

TURNY with EXO-Frame™

A BRUNO TAS™ PRODUCT

EXO FRAME The Turny with EXO Frame is the best solution for pickup trucks and SUVs that have IBS (Integrated Belts to Seats) type OEM seats.

EXO FRAME Innovative IBS solution designed to fit every Turny IBS application.

EXO FRAME Designed and tested to support a replacement seat belt system that meets/exceeds applicable FMVSS requirements

EXO FRAME Installs in both passenger and driver sides.

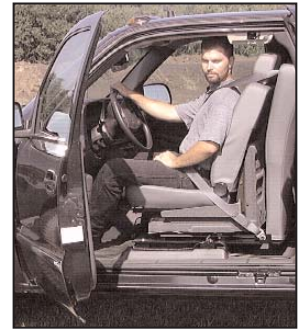


EXO FRAME Easy installation. This turn-key solution requires no additional vehicle bolt holes/interior modifications and installs in the OEM seat mounting points.

EXO FRAME Design allows for 15° gentle seat recline.

EXO FRAME Saves space with its compact design.

TURNY is tested and certified to meet or exceed applicable FMVSS requirements in a vehicle.



Shown in GMC Silverado® Ext. Cab Full-Size Pickup.



All Bruno **TAS PRODUCTS™** qualify as adaptive equipment and are eligible for reimbursement under the terms of the Mobility Programs offered by DaimlerChrysler/Dodge, Ford, GM, Saturn, Toyota, Lexus, Volvo and Volkswagen.

Founded 20 years ago, Bruno Independent Living Aids has a history of product innovation providing solutions for individuals who face mobility challenges in their everyday lives. We manufacture a complete line of mobility and accessibility products including: indoor/outdoor stairlifts; interior/exterior vehicle lifts; power chairs and scooters; and Turning Automotive Seating™ (TAS™). Our products have helped thousands live more independent, 'barrier-free' lives!

As an ISO 9001 Certified manufacturer, Bruno Independent Living Aids produces only the highest quality products. As the industry leader, we stand behind our reputation for providing superior quality.



Vehicle Lifts



Power Chairs



Indoor & Outdoor Stairlifts



Scooters



The complete, independent power supply for your automotive lift!

NEW!
Pow'rPac
option for
Bruno
Vehicle
Lifts!



BRUNO INDEPENDENT LIVING AIDS, INC.,
1780 Executive Drive, P.O. Box 84, Oconomowoc, WI 53066
(262) 567-4990 ♦ FAX (262) 953-5501 ♦ www.bruno.com



Represented By: